

Nomenclature Ballon d'effluents 200L

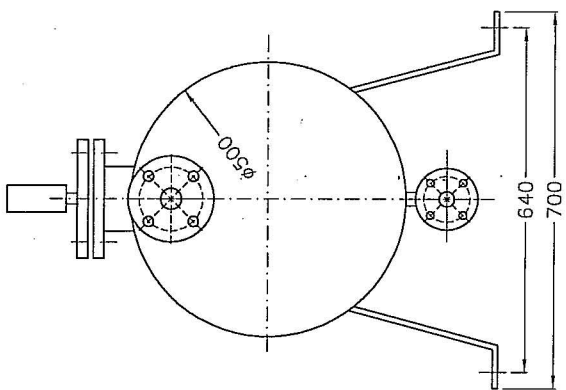
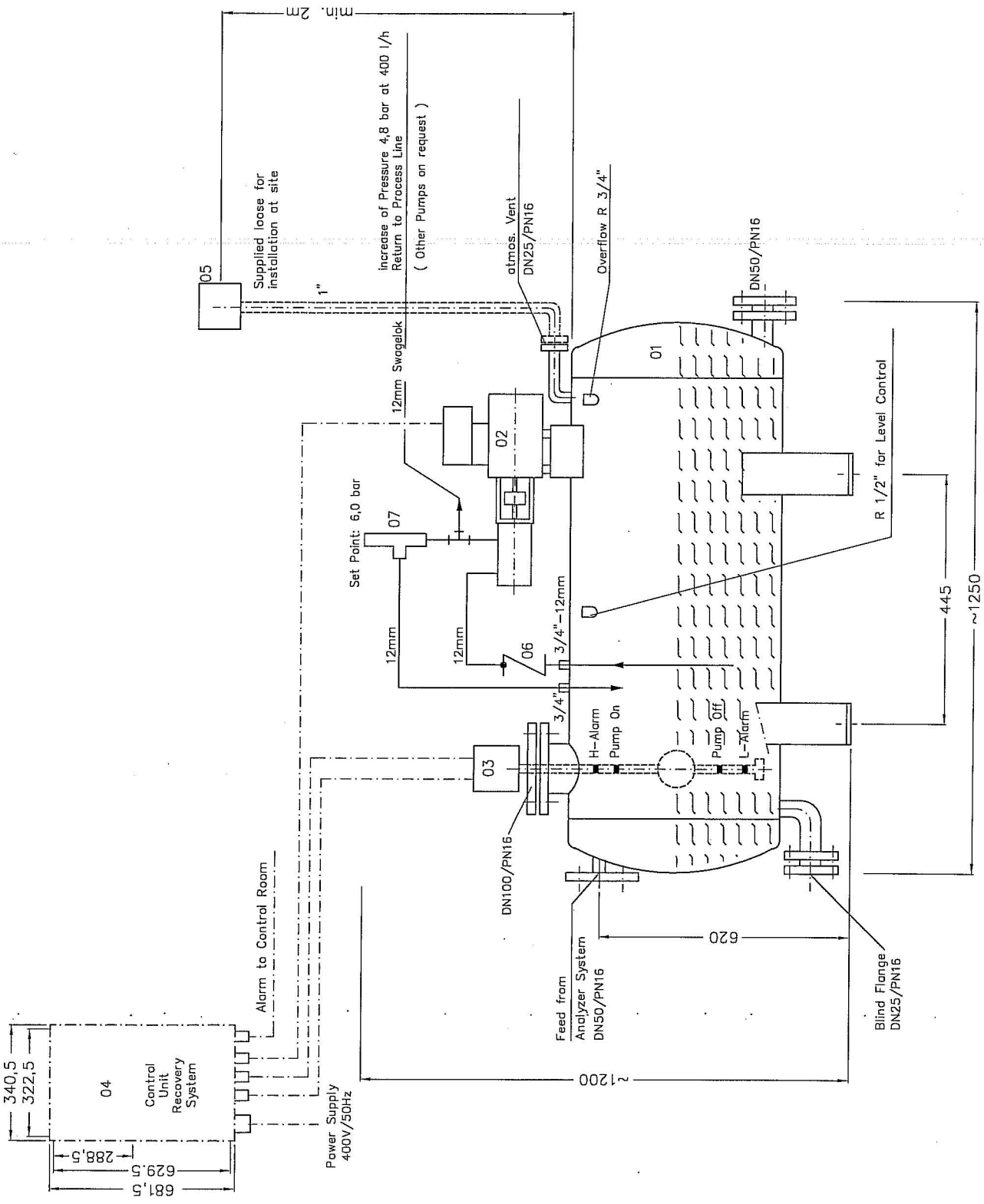
Qty.	Designation / Type	Manufacturer
1	Vessel Volume: 200 l, material: 1.4571, Flanges: DIN 100/50/25, PN 16 DGRL 97/23/EG with material certificate	Behle
1	Self priming small centrifugal pump SPY 2272 with Ex-Motor capacity: 400 l/h, dp: 4,8 bar at 870 kg/m <sup>3</sup> Motor: 400V/50cps, 0.37 KW, In=1,06 A, IP 55, II2G EEx de IIC T4	Speck/ Bartec Varnost
1	Immerible Magnetic Probes T-203-RVA -VVA, R1/2", L= 600 mm L1= 210 mm, L2= 260 mm, L3= 490 mm, L4= 540 mm II2G EEx ia IIC T6 / TÜV 02 ATEX 1795 X	E.L.B
1	Control Unit 8146/5095, Power Supply: 400V/50cps II2G EEx ed IIC T4 / PTB 01 ATEX 1024	Stahl
1	Flame arrestor Protego BE/HZ 25, G1", flame filter 1.4571 Ex IIG IIA, GII 94/9/EG	UST
1	Backpressure Valve SS-CHS12MM-1/3	Swagelok
1	Relief Valve 437, G1/2", setpoint: 6,0 bar.	Leser

**BARTEC BENKE**

BARTEC BENKE GmbH  
Borsigstrasse 10  
D - 21465 Reinbek / Hamburg  
Phone +49 (0)40 727 03 - 0  
Fax +49 (0)40 727 03 - 228  
Internet : [www.bartec-benke.de](http://www.bartec-benke.de)

**STa**

S.T.A Société des Technologies d'Analyses  
12, chemin du Tillon  
44160 Besné - France  
Tel : + 33 2 40 90 16 40  
Fax : + 33 2 40 90 16 43  
Site Web : [www.sta-france.com](http://www.sta-france.com)



**BARTEC BENKE**

21465 Reimbek

Sample Recovery System  
200 L

STA /

Page  
Next

Status	Change	Date	Name	Date	Standard

Date	Drawn	Check.